

**GENERAL MOTORS**  
**MUNCIE**  
**4-SPEED MANUAL TRANSMISSION**  
**ASSEMBLIES, GEARS & PARTS**

---

**APPLICATIONS:      GENERAL MOTORS**  
**1963-1974      GENERAL MOTORS (HIGH PERFORMANCE)**

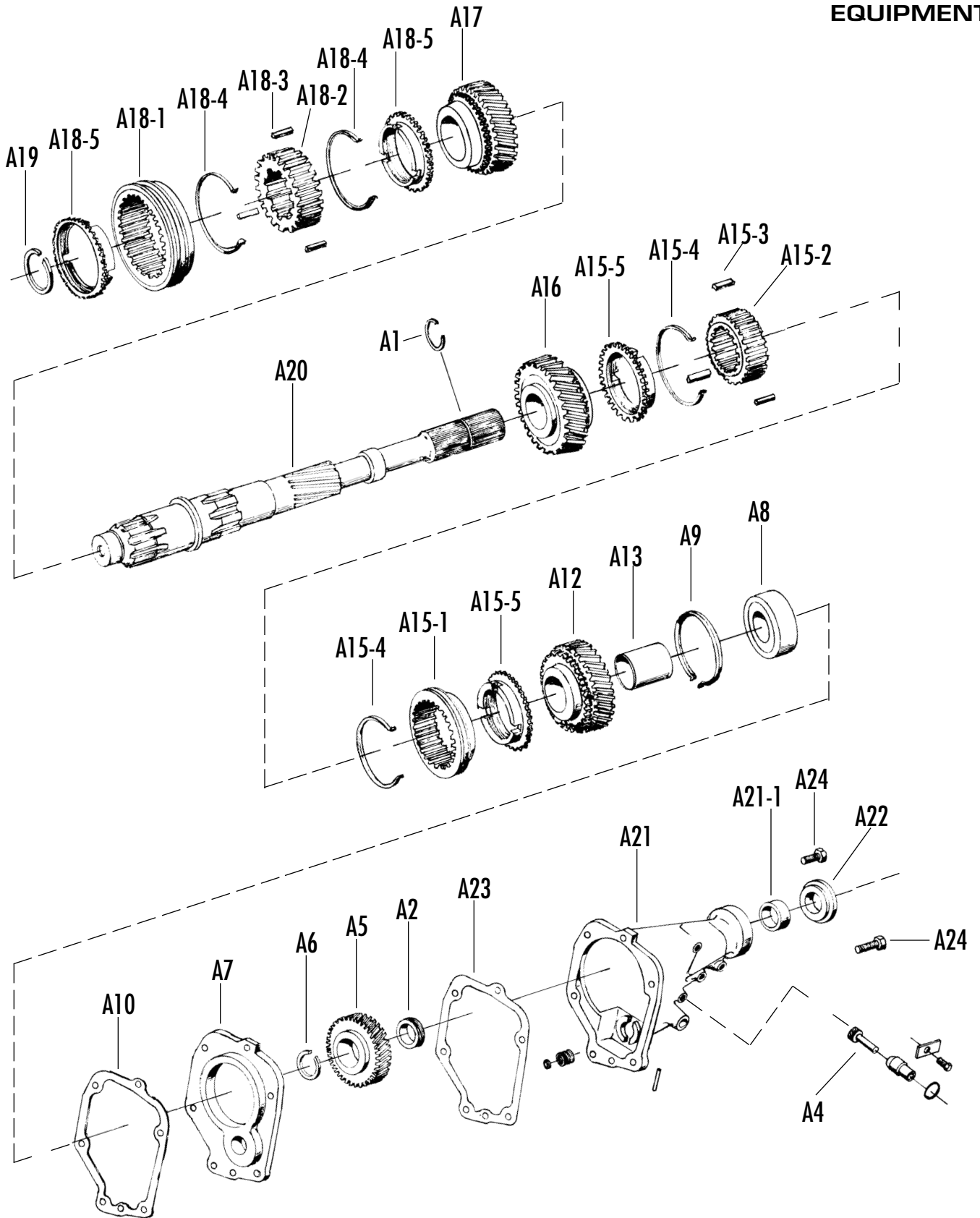
---

**AUTO GEAR EQUIPMENT**

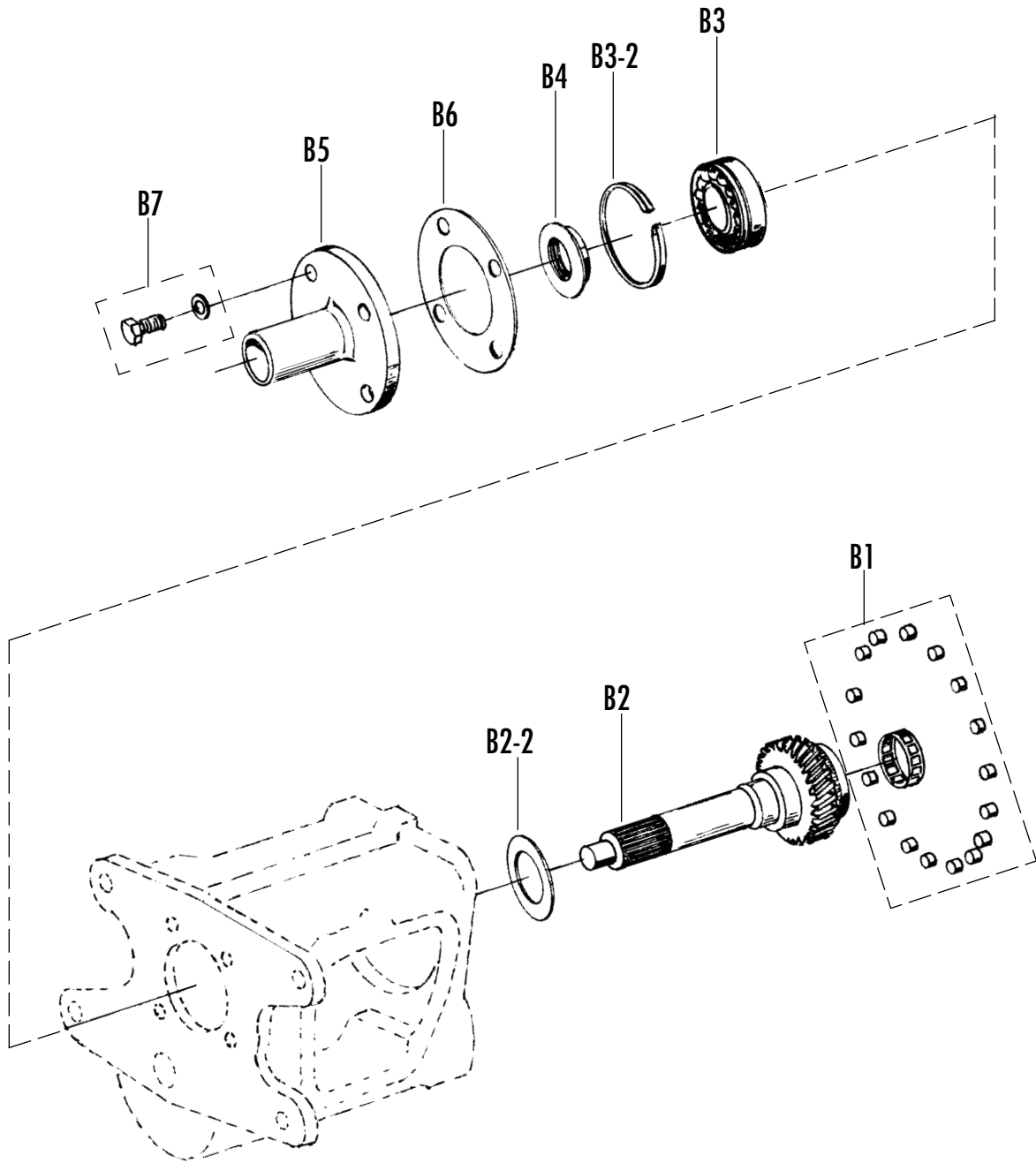
530 State Fair Boulevard, Syracuse, New York 13204  
(800) 634-3001, Inside New York: (315) 471-8141  
Fax Numbers: (315) 471-8146 or (800) 537-4213

# GENERAL MOTORS "MUNCIE" FOUR SPEED

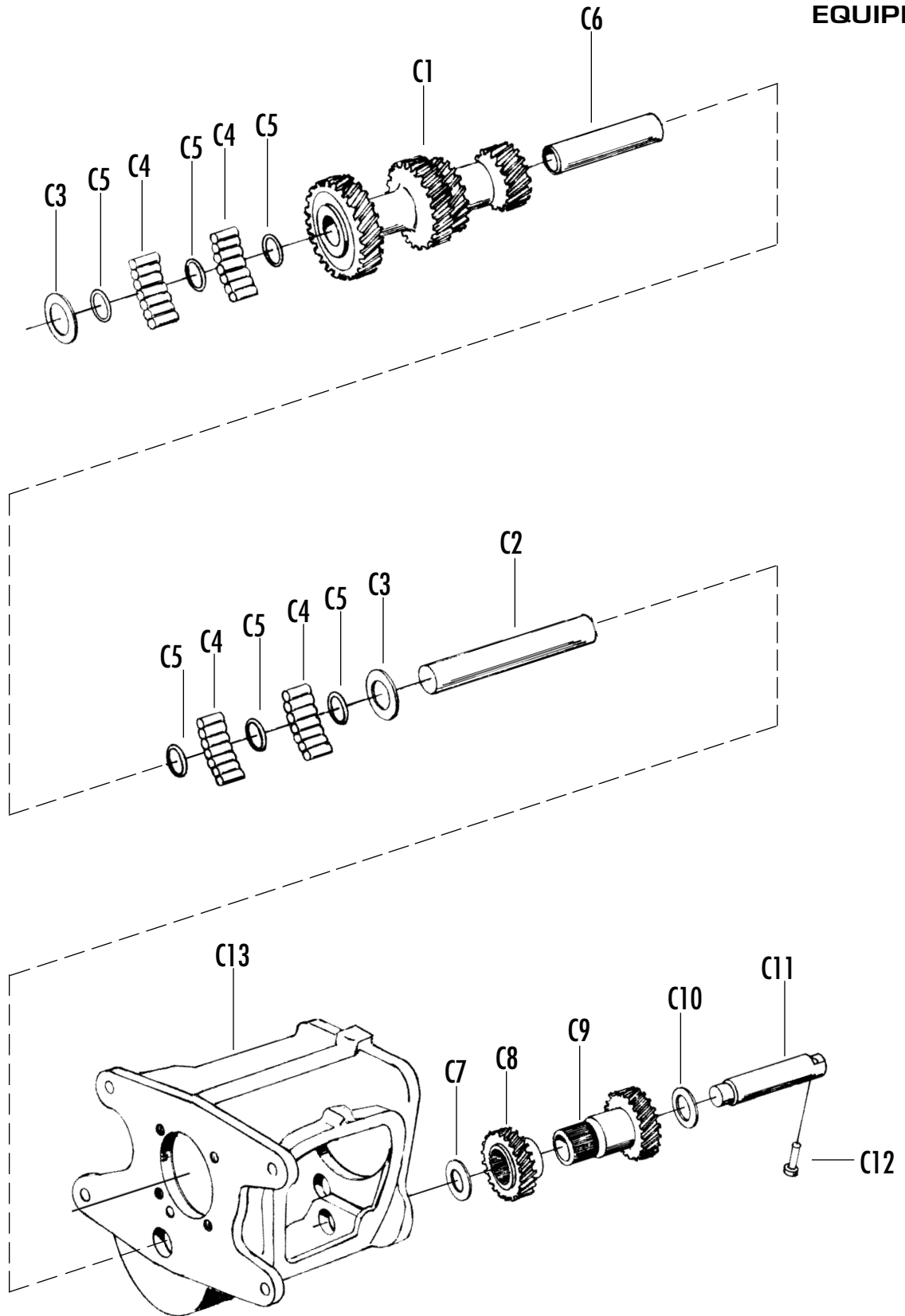
AGE  
AUTO GEAR  
EQUIPMENT



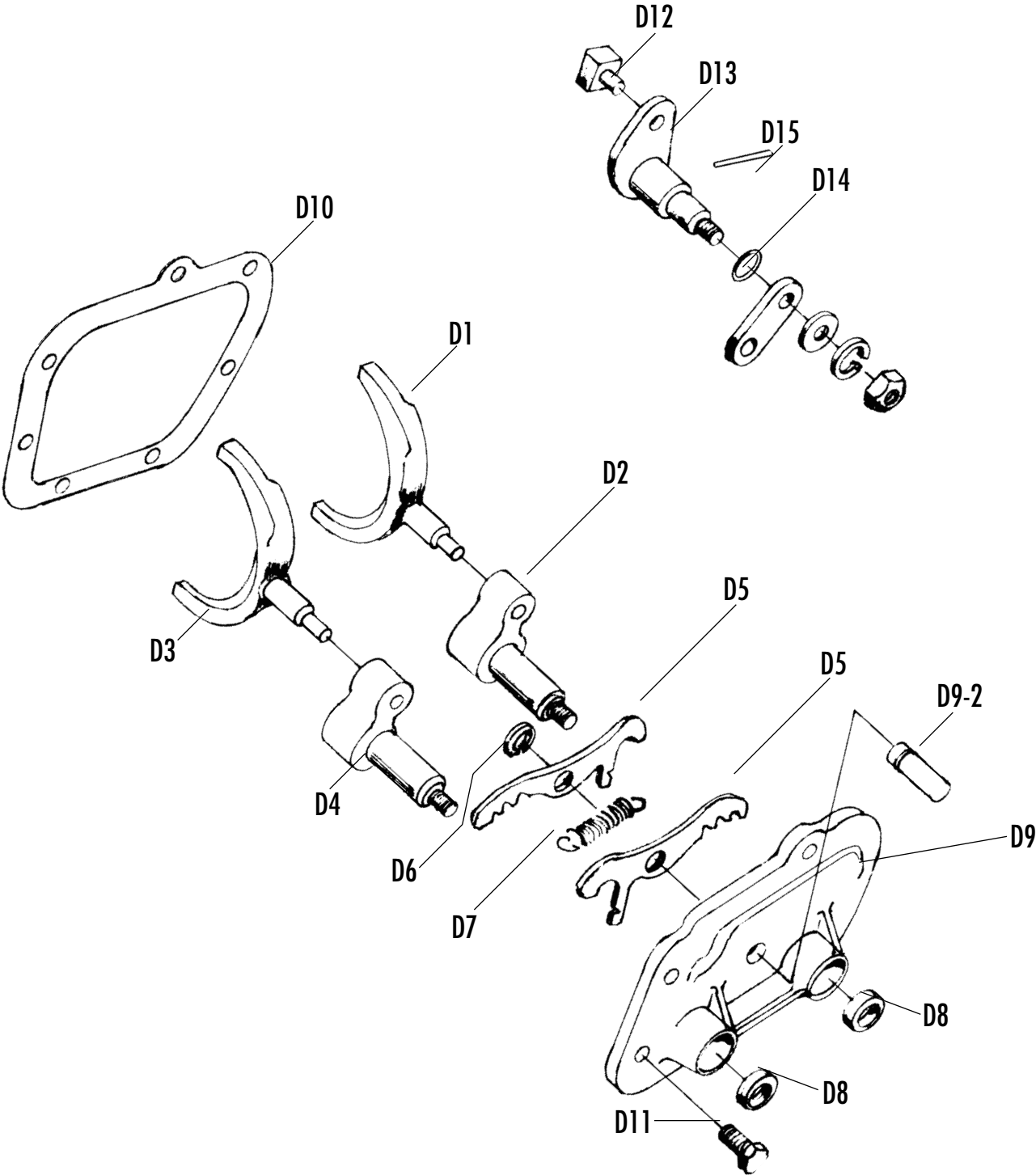
# GENERAL MOTORS "MUNCIE" FOUR SPEED



# GENERAL MOTORS "MUNCIE" FOUR SPEED



GENERAL MOTORS "MUNCIE" FOUR SPEED



## GENERAL MOTORS "MUNCIE" FOUR SPEED

### GROUP A: MAINSHAFT

A1	Yoke Stop Snapping 27 spline mainshaft	(1963)	3707191	3707191
A2	Speedometer Circle Gear L6T steel: 1.92" OD L7T steel: 1.76" OD L8T steel: 1.76" OD L7T steel: 1.84" OD L8T steel: 1.84" OD L8T natural nylon: 1.84" OD	(1963-70) (1963-70) (1963-70) (1963-70) (1963-70) (1969-70)	3845079 3708145 3708144 6261794	3845079 3708145 3708144 6261794
	<i>NOTE: these SIX (6) gears have 30mm bore: used with 27 spline mainshaft.</i>			
	L8T steel: 1.84" OD	(1971-74)	3978758	3978758
	<i>NOTE: this ONE (1) gear has 35mm bore: used with 32 spline mainshaft.</i>			
A3	Speedometer Circle Gear Retainer used w/ nylon gear only	(1969-70)	6261781	6261781
A4	Speedometer Pencil Gear L20T steel		3860329	3860329
	<i>NOTE: this ONE (1) gear used with 1.92" outside diameter circle gear.</i>			
	L22T green nylon		3860345	3860345
	L23T black nylon		3860346	3860346
	L24T yellow nylon		3860347	3860347
	L25T orange nylon		3860348	3860348
	<i>NOTE: these FOUR (4) gears used with 1.76" outside diameter circle gears.</i>			
	L17T purple nylon		3987917	3987917
	L18T brown nylon		3987918	3987918
	L19T natural nylon		3987919	3987919
	L20T blue nylon		3987920	3987920
	L21T red nylon		3987921	3987921
	L22T silver nylon		3987922	3987922
	<i>NOTE: these SIX (6) gears used with 1.84" outside diameter circle gears.</i>			
A5	Mainshaft Reverse Gear R35-r6T		3831748	WT297-36
A6	Mainshaft Bearing/Shaft Snapping all all all all 0.084"		3831755 3831756 3831757 3831758 3831759	3831755 3831756 3831757 3831758 3831759
		as req.		
A7	Mainshaft Bearing Support all		3831752	3831752
A8	Mainshaft Bearing ND-H #43308AB1		907474	6308NR
A9	Mainshaft Bearing/Support Snapping all		3831749	3831749
A10	Mainshaft Bearing Support Gasket all		3911900	3911900
A11	Mainshaft 1st Gear Thust Washer all	(1963)	3831745	3831745

## GENERAL MOTORS "MUNCIE" FOUR SPEED

A12	Mainshaft 1st Gear L36-s36T		(1963)	3831743	WT297-12
	<i>NOTE: this ONE (1) gear w/ snapping counterbore on cone end: used w/ thrust washer.</i>				
	L36-s36T: except M22		(1964-74)	3849388	WT297-12A
	L36-s36T: M22 'Rock Crusher'		(1964-74)	3924796	WT297-12B
	<i>NOTE: these TWO (2) gears w/o snapping counterbore on cone end: used w/o thrust washer.</i>				
A13	Mainshaft 1st Gear Bushing all		(1964-74)	3978781	3978781
A14	Mainshaft 1st/2nd Synchronizer Snapping all		(1963)	3832626	3832626
A15	Mainshaft 1st/2nd Synchronizer Assy synchro rings w/o support shoulder		(1963-65)	3831733	3831733
	synchro rings w/ support shoulder		(1966-74)	3924112	3924112
	<i>NOTE: these TWO (2) assemblies ship without rings. Service BOTH assemblies with AWT297-80A which includes two (2) pieces WT297-14A.</i>				
A15-1	Clutch all			NSS	T85B-15
A15-2	Hub synchro rings w/o support shoulder		(1963-65)	NSS	NSS
	synchro rings w/ support shoulder		(1966-74)	NSS	WT297-2.5
A15-3	Strut all	req. 3		3915050	3915050
A15-4	Spring all	req. 2	(1963)	591914	591914
	all	req. 2	(1964-65)	3853805	3853805
	all	req. 2	(1966-74)	3920775	3920775
A15-5	Mainshaft 1st/2nd Synchronizer Rings s36T: w/o support shoulder	req. 2	(1963-65)	3831742	WT297-14
	s36T: w/ support shoulder	req. 2	(1966-74)	3880850	WT297-14A
	<i>NOTE: Two (2) pieces WT297-14A ship with AWT297-80A assembly. WT297-14A rings CANNOT be used with 1963-65 hubs.</i>				
A16	Mainshaft 2nd Gear L30-s36T: except M22			3831746	WT297-21
	L30-s36T: M22 'Rock Crusher'			3879999	WT297-21A
A17	Mainshaft 3rd Gear L27-s36T: except M22			3831747	WT297-11
	L27-s36T: M22 'Rock Crusher'			3880845	WT297-11A
A18	Mainshaft 3rd/4th Synchronizer Assy synchro rings w/o support shoulder		(1963-65)	3887887	3887887
	synchro rings w/ support shoulder		(1966-74)	3924113	3924113
	<i>NOTE: these TWO (2) assemblies ship without rings. Service BOTH assemblies with AWT297-2.5A which includes two (2) pieces WT297-14A.</i>				
A18-1	Clutch all			NSS	T85B-15
A18-2	Hub synchro rings w/o support shoulder		(1963-65)	NSS	NSS
	synchro rings w/ support shoulder		(1966-74)	NSS	WT297-2.5
A18-3	Strut all	req. 3		3915050	3915050
A18-4	Spring all	req. 2	(1963)	591914	591914
	all	req. 2	(1964-65)	3853805	3853805
	all	req. 2	(1966-74)	3920775	3920775

## GENERAL MOTORS "MUNCIE" FOUR SPEED

A18-5	Mainshaft 3rd/4th Synchronizer Rings			
	s36T: w/o support shoulder	req. 2	3831742	WT297-14
	s36T: w/ support shoulder	req. 2	3880850	WT297-14A
	<i>NOTE: Two (2) pieces WT297-14A ship with AWT297-2.5A assembly. WT297-14A rings CANNOT be used with 1963-65 hubs.</i>			
A19	Mainshaft 3rd/4th Synchronizer Snapping all		3831741	3831741
A20	Mainshaft			
	s8-8-r6-s27T: 21.13"	(1963)	3831753	WT297-2
	<i>NOTE: this ONE (1) shaft used w/ 1st gear thrust washer.</i>			
	s8-8-r6-s27T: 21.13"	(1964-70)	3915087	AWT297-2A
	s8-8-r6-s27T: 27.50"	(1964-70)	388838	WT297-2D
	<i>NOTE: these TWO (2) shafts used w/o 1st gear thrust washer.</i>			
	s8-8-r6-s32T: 21.13"	(1971-74)	3979759	WT297-2G
A21	Mainshaft Extension Assy			
	#3846429: 21.13" mainshaft	(1963-65)		
	<i>NOTE: 1963 assemblies may also use #3831731 or #3846429 "Thin Fin" castings.</i>			
	#9779246: 27.50" mainshaft	(1964-65)		
	<i>NOTE: these TWO (2) extensions have driver side speedometer openings.</i>			
	#3857584: 21.13" mainshaft	(1966-70)	3857583	3857583
	<i>NOTE: these THREE (3) extensions are used with 27 spline mainshafts.</i>			
	#3978764: 32 spline	(1971-74)	3978763	3978763
	<i>NOTE: these TWO (2) extensions have passenger side speedometer openings.</i>			
A21-1	Mainshaft Bushing			
	27 spline	(1963-70)	6260048	6260048
	32 spline	(1971-74)	3978765	3978765
A22	Mainshaft Oilseal			
	27 spline mainshaft	(1963-70)	1243402	15041CR
	32 spline mainshaft	(1971-74)	8626009	18992CR
A23	Mainshaft Extension Gasket all		3911901	3911901
A24	Mainshaft Extension Fasteners			
	3/8-16 x 1-3/4 HHCS (SAE 5)	req. 3		
	7/16-14 x 1-7/8 HHCS (SAE 5)	req. 2		

### GROUP B: MAINDRIVE AND RETAINER

B1	Mainshaft Pilot Bearing Assy 17 rollers with steel cage		9419248	JV44-1419
B2	Maindrive Gear Assy			
	L24-s36T	(1963-65)	3831767	AWT297-16A
	L21-s36T	(1966-70)	3925689	AWT297-16B
	L26-s36T: except M22	(1963-70)	3925690	AWT297-16
	L26-s36T: M22 'Rock Crusher'	(1963-70)	3925691	WT297-16U
	<i>NOTE: these (4) gears used with 10 spline clutch.</i>			
	L21-s36T	(1971-74)	3978772	AWT297-16C
	L26-s36T: except M22	(1971-74)	3978773	AWT297-16D
	L26-s36T: M22 'Rock Crusher'	(1971-74)	3978761	WT297-16Z
	<i>NOTE: these (3) gears used with 26 spline clutch.</i>			
B2-2	Maindrive Oil Slinger all		3925692	3925762



## GENERAL MOTORS "MUNCIE" FOUR SPEED

B3	Maindrive Bearing ND-H #47207 ND-H #41307B2		(1963) (1964-74)	907930 907572	6207NR 307SG10
B4	Maindrive Bearing Nut all			591150	591150
B5	Maindrive Retainer for 207 bearing #3851326: for 307 bearing <i>NOTE: for service use 3915020.</i> #3915020: for 307 bearing		(1963) (1964-67) (1968-74)	604932 3851326 3915020	604932 3851326 3915020
B6	Maindrive Retainer Gasket for 207 bearing for 307 bearing		(1963) (1964-74)	591023 3915019	591023 3915019
B7	Maindrive Retainer Fasteners 3/8-16 x 3/4 HHCS <i>NOTE: this screw is a special design used with 1/2 socket (standard for 3/8-16 is 9/16 socket).</i> 3/8 lockwasher <i>NOTE: these TWO (2) items used with 207 bearing.</i> 3/8-16 x 1 HHCS lockplate: right hand lockplate: left hand <i>NOTE: these THREE (3) items used with 307 bearing.</i>	req. 4 req. 4	(1963) (1963) (1964-74) (1964-74) (1964-74)	186678 3849938 3849937	186678 3849938 3849937

### GROUP C: COUNTERSHAFTS AND CASE

C1	Countershaft Cluster Gear R27-22-19-17T R29-22-19-17T <i>NOTE: these TWO (2) gears are used with 7/8 inch countershaft.</i> R25-22-19-17T R27-22-19-17T: except M22 R27-22-19-17T: M22 'Rock Crusher' <i>NOTE: these THREE (3) gears are used with 1 inch countershaft.</i>		(1963-65) (1963-65) (1966-74) (1966-74) (1966-74)	3831727 3831728 3905463 3905465 3905466	WT297-8 WT297-8A WT297-8C WT297-8D WT297-8E
C2	Countershaft 7/8 diameter 1 diameter		(1963-65) (1966-74)	3831725 3864850	WT297-3 WT297-3A
C3	Countershaft Thrust Washer 7/8 diameter 1 diameter	req. 2 req. 2	(1963-65) (1966-74)	3831729 3864860	3831729 3864860
C4	Countershaft Rollers 7/8 diameter 1 diameter	req. 80 req. 112	(1963-65) (1966-74)	3709328 435847	S443Q C407Q
C5	Countershaft Roller Spacer 7/8 diameter 1 diameter	req. 6 req. 6	(1963-65) (1966-74)	3709324 3864856	3709324 3864856
C6	Countershaft Roller Tube 7/8 diameter 1 diameter		(1963-65) (1966-74)	3912195	3912195
C7	Idler Gear (Front) Thrust Washer all			3834739	3834739

## GENERAL MOTORS "MUNCIE" FOUR SPEED

C8	Idler Gear (Front) L18-s27T: except M22 L18-s27T: M22 'Rock Crusher'		3831762 3879997	WT297-10 WT297-10B
C9	Idler Gear Assy (Rear) L17-27T		3831764	AWT297-10A
C10	Idler Gear (Rear) Thrust Washer all		3774909	3774909
C11	Idler Shaft all		3831761	WT297-35
C12	Idler Shaft Lockpin all all		590832 456722	590832 456722
C13	Case Assy #3831704: 207 maindrive bearing #3851325: 307 maindrive bearing <i>NOTE: these TWO (2) cases are used with 7/8 inch countershaft.</i> #3885010 #3925660 #3925661 <i>NOTE: these TWO (2) cases appear to be identical except for alloy. GM used them optionally in 1968-69.</i> <i>NOTE: these THREE (3) cases are used with 1 inch countershaft. For service use 3925659.</i>	(1963) (1964-65)  (1965-67) (1968-70) (1968-74)	3831702 3851324	3831702 3851324

### GROUP D: INTERNAL SHIFT LINKAGE

D1	1st/2nd Shift Fork all		3831717	3831717
D2	1st/2nd Shift Lever Assy 5/16-18 external thread 3/8-16 internal thread w/o switch 3/8-16 internal thread w/ switch	(1963-68) (1969) (1970-74)	3831709 3950308 3952649	3831709 3950308 3952649
D3	3rd/4th Shift Fork all		3831717	3831717
D4	3rd/4th Shift Lever Assy 5/16-18 external thread 3/8-16 internal thread w/o switch 3/8-16 internal thread w/ switch <i>NOTE: this ONE (1) lever assembly marked with yellow paint.</i> 3/8-16 internal thread w/ switch <i>NOTE: this ONE (1) lever assembly marked with red paint.</i>	(1963-68) (1969) (1968)  (1970-74)	3831709 3950308 3950472  3952649	3831709 3950308 3950472  3952649
D5	Detent Levers all	req. 2	3905462	3905462
D6	Detent Lever Retaining C-Clip all			
D7	Detent Spring all		3831718	3831718

## GENERAL MOTORS "MUNCIE" FOUR SPEED

D8	Shift Lever Oilseal all	req. 2	3831716	7410CR
D9	Shift Cover Assy #3831707 #3884685	(1963-65) (1966-70)	3831707 3977618	3831707 3977618
	<i>NOTE: these TWO (2) covers used with externally threaded shift lever assemblies.</i>			
	#3950306: short boss w/o TCS switch #3952648: short boss w/ TCS switch #3952642: long boss w/ TCS switch #335308: long boss w/ TCS switch	(1970-74) (1970-74) (1970-74) (1970-74)	3952647	3952647
	<i>NOTE: these FOUR (4) covers used with internally threaded shift lever assemblies.</i>			
D10	Shift Cover Gasket all		3831705	3831705
D11	Shift Cover Fasteners 5/16-18 x 3/4 HHCS	req. 7		
D12	Reverse Shift Fork all	(1967-74)	3832786	3832786
D13	Reverse Shift Lever Assy 5/16-18 external thread 3/8-16 internal thread	(1963-68) (1969-74)	3850086 3950312	3850086 3950312
D14	Reverse Shift Lever Oilseal all		3831716	7410CR
D15	Reverse Shift Lever Taper Pin all		103565	103565
<b>GROUP E: SERVICE KITS</b>				
F1	Small Parts Kit 0.88" diameter countershaft 1.00" diameter countershaft	(1963-65) (1966-74)	NSS NSS	SP297-50 SP297-50A
	<i>NOTE: small parts kits include loose rollers, thrust washers, and snaprings.</i>			
F2	Gasket Set all		NSS	WT297-55
	<i>NOTE: gasket sets include maindrive retainer, mainshaft extension, and shift cover gaskets.</i>			
F3	Bearing Kit 6207NR maindrive bearing 307SG10 maindrive bearing: 27 spline 307SG10 maindrive bearing: 32 spline	(1963) (1966-70) (1971-74)	NSS NSS NSS	BK297A BK297B BK297
	<i>NOTE: bearing kits include maindrive bearing and nut; mainshaft bearing, bushing and oilseal; and shifter oilseals.</i>			
F4	Overhaul Kit 0.88" diameter countershaft: 6207NR 0.88" diameter countershaft: 307SG10 1.00" diameter countershaft: 27 spline 1.00" diameter countershaft: 32 spline	(1963) (1964-65) (1966-70) (1971-74)	NSS NSS NSS NSS	OH297B OH297A OH297C OH297
	<i>NOTE: overhaul kits include small parts kit, gasket set, bearing kit, and four (4) synchronizer rings.</i>			